

# Manrug technical discussion



Greasing System  
Drive faults

August 13th 2015

## Manrug technical discussion

### Agenda:

- |                                   |                         |
|-----------------------------------|-------------------------|
| 1. Introduction – 5 min           | Luc and Andreas         |
| 2. Drive faults - 10 min          | Matthias                |
| ▪ Q&A – 15 min                    | Manrug members and mrws |
| 3. Greasing systems – 10 min      | Thomas                  |
| ▪ Q&A – 15 min                    | Manrug members and mrws |
| 4. Feedback for next call – 5 min | Manrug members          |

## Greasing System



Lubricate all bearings within a system



### Automated

- Triggerd by time and/or revolutions
- Centralised grease station



### Manuel

- Decentralised

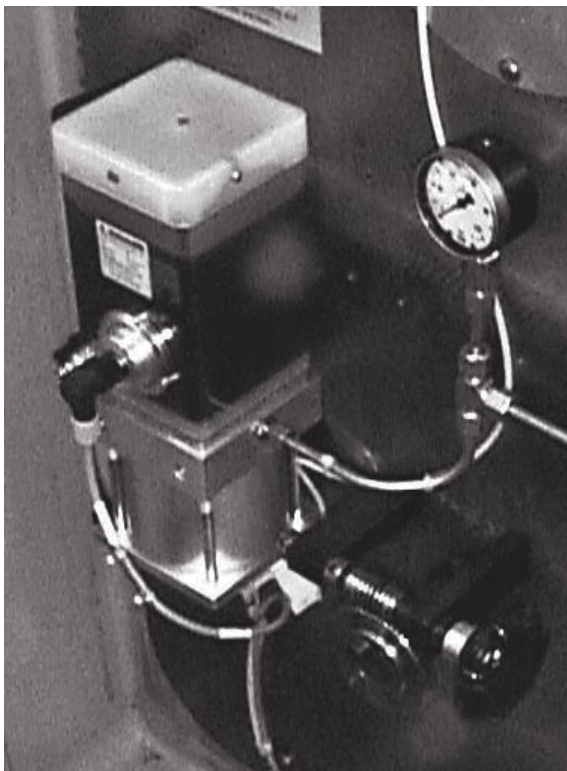
Within manroland equipment ?

Hybrid !

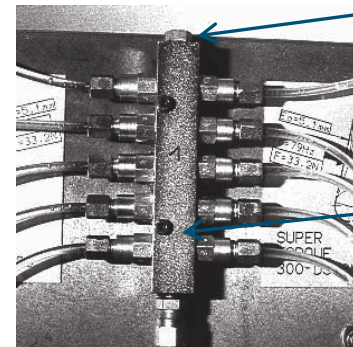
# Manrug technical discussion

## Low-viscosity grease lubrication – by Bielomatik

Grease pump

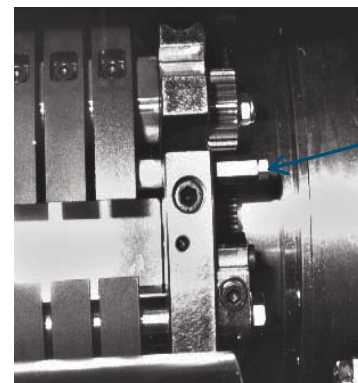


Vent screw



Distributor

Central vent screw



Progressive central lubrication system – by Lincoln

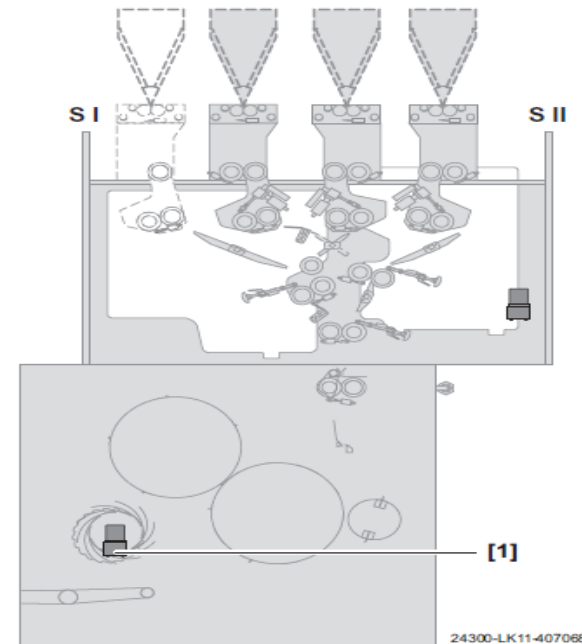


fig. 45 Automatic grease lubrication system in the folder and folder upper section

[1] Grease pump, S Ila

# Manrug technical discussion

## Manual Lubrication - Grease gun from the tool cabinet



fig. 44 Grease gun from the tool cabinet

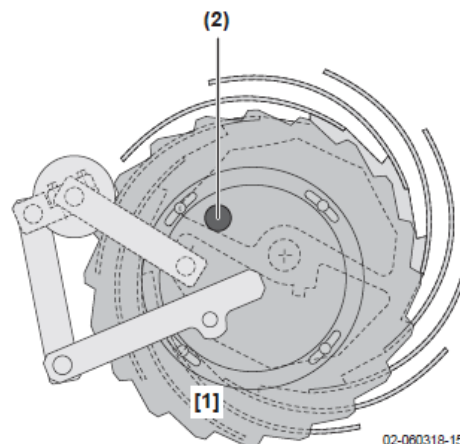


fig. 48 Stepping wheel lubricating nipple

- [1] Paddlewheel
- (2) Stepping wheel lubricat

6070681\_fw255\_wb\_en 1.0

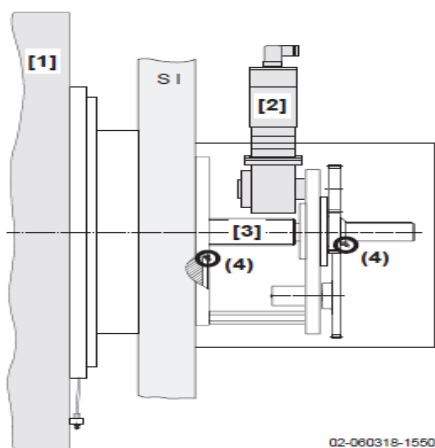


fig. 53 Jaw cylinder lubricating nipples

- [1] Jaw cylinder
- [2] Gear motor
- [3] Adjusting spindle
- (4) Lubricating nipples

MANROLAND LUBRICATION FW10000\_FW10001\_FW10002\_FW10003\_FW10004\_FW10005\_FW10006\_FW10007\_FW10008\_FW10009\_FW10010\_FW10011\_FW10012\_FW10013\_FW10014\_FW10015\_FW10016\_FW10017\_FW10018\_FW10019\_FW10020\_FW10021\_FW10022\_FW10023\_FW10024\_FW10025\_FW10026\_FW10027\_FW10028\_FW10029\_FW10030\_FW10031\_FW10032\_FW10033\_FW10034\_FW10035\_FW10036\_FW10037\_FW10038\_FW10039\_FW10040\_FW10041\_FW10042\_FW10043\_FW10044\_FW10045\_FW10046\_FW10047\_FW10048\_FW10049\_FW10050\_FW10051\_FW10052\_FW10053\_FW10054\_FW10055\_FW10056\_FW10057\_FW10058\_FW10059\_FW10060\_FW10061\_FW10062\_FW10063\_FW10064\_FW10065\_FW10066\_FW10067\_FW10068\_FW10069\_FW10070\_FW10071\_FW10072\_FW10073\_FW10074\_FW10075\_FW10076\_FW10077\_FW10078\_FW10079\_FW10080\_FW10081\_FW10082\_FW10083\_FW10084\_FW10085\_FW10086\_FW10087\_FW10088\_FW10089\_FW10090\_FW10091\_FW10092\_FW10093\_FW10094\_FW10095\_FW10096\_FW10097\_FW10098\_FW10099\_FW10100

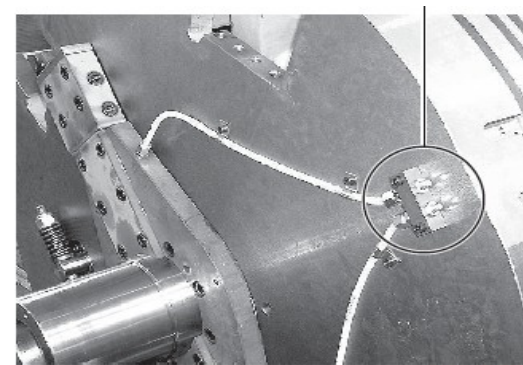


fig. 51 Jaw cylinder lubricating nipples  
(3) 2 lubricating nipples, S I