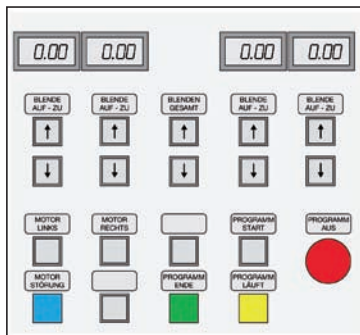


MAINTENANCE

Turbo Maintenance Unit

ps printservices®
a trademark of manroland



Operating panel:
Rotor bars with 4 shutter flaps.

Cuts time and expenditure for cleaning the rotor bars

Maintenance unit with automatic cleaning and function testing of shutters.

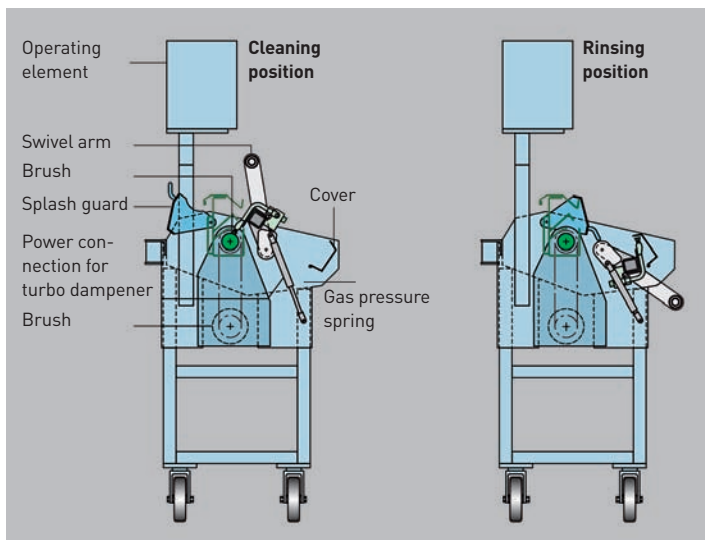
Using the maintenance unit with automatic system for cleaning the turbo dampening units can considerably reduce time and expenditure for the operation. The turbo maintenance unit is available for all manroland presses.

Automatic cleaning and the possibility for testing the dampening-unit panels maintains the proper functioning of the turbo dampening unit. This lets the user be sure of system availability.

The maintenance unit is available for both quadruple and sextuple shutters. As a support for the user, manroland offers regular checking of the unit's actual condition. ■■

Advantages

- Reduction of turbo dampener cleaning and maintenance times
- Prolongation of dampener life cycle
- Simultaneous function test for dampener shutters
- Washing cycle runs automatically
- Cost saving
- The press operator is more flexibly available
- manroland offers regular checks of the maintenance console
- The maintenance unit is available for quadruple and sextuple shutters

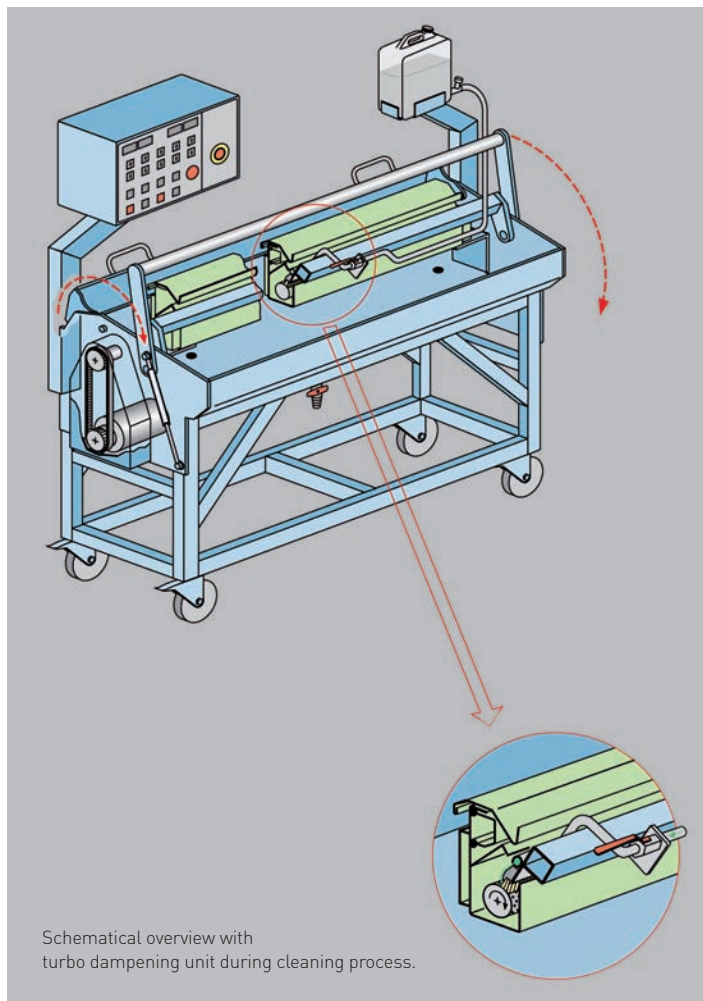


Installation and instruction time

Delivery time: 6 weeks

References

- BDU, Barneveld, The Netherlands
- Beeld, Johannesburg, South Africa



manroland AG 2 Turbowartungseinheit 02 englisch 05/2008 printed in Germany

ps printservices®
a trademark of manroland

Contact: Webfed
printservices@manroland.com

manroland AG
86219 Augsburg
Germany
Tel. +49 (0) 821 424-0
Fax +49 (0) 821 424-33 03

www.manroland.com

manroland